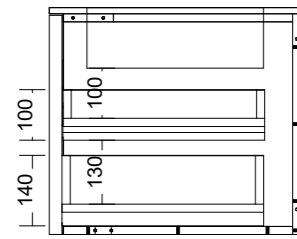
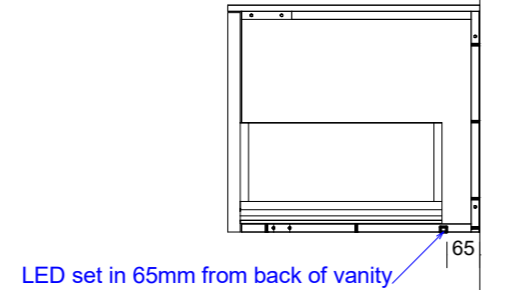


Pill Shape shaving cab
LED. On all sides of cab

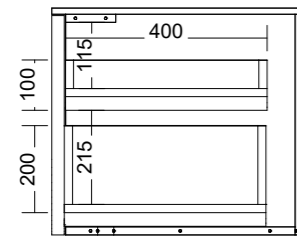
Inner draw set-out with
under mount basin



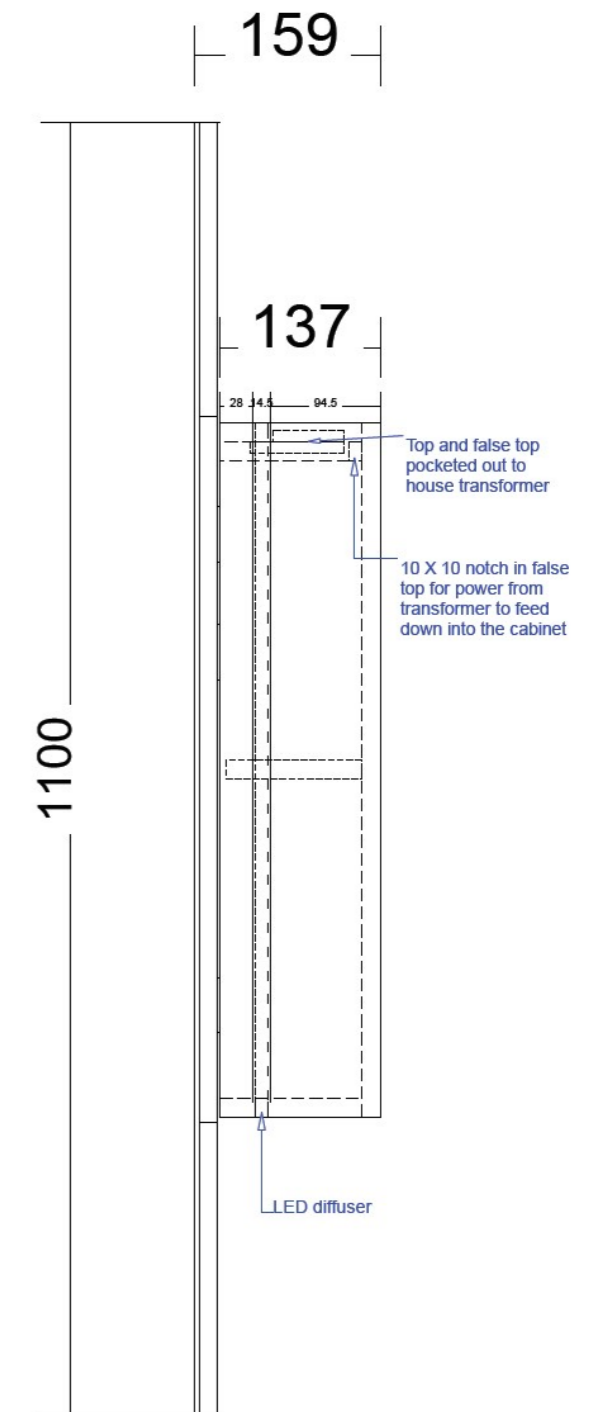
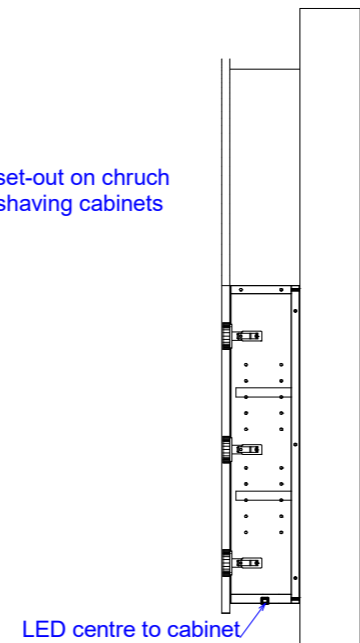
LED set-out on vanity
cabinets



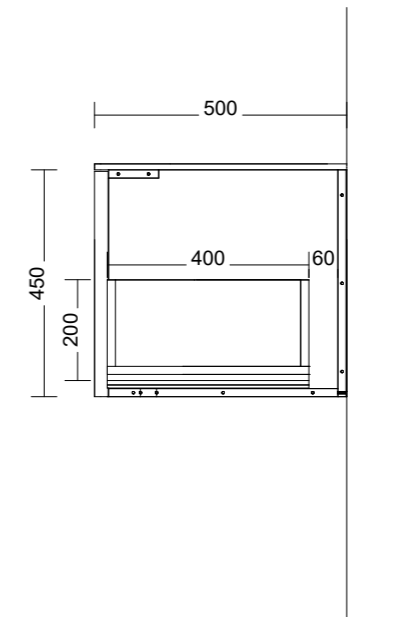
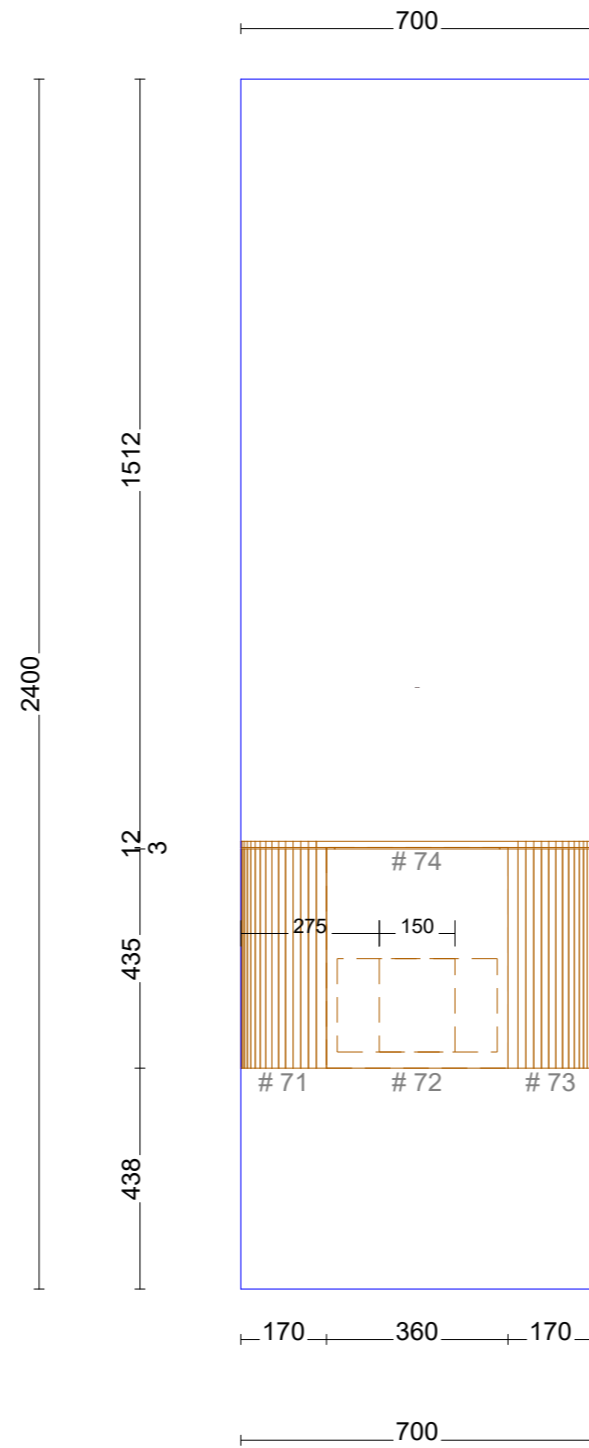
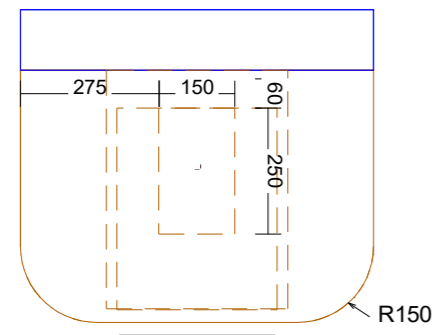
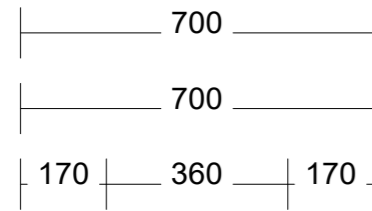
Inner draw set-out with
top mount basin



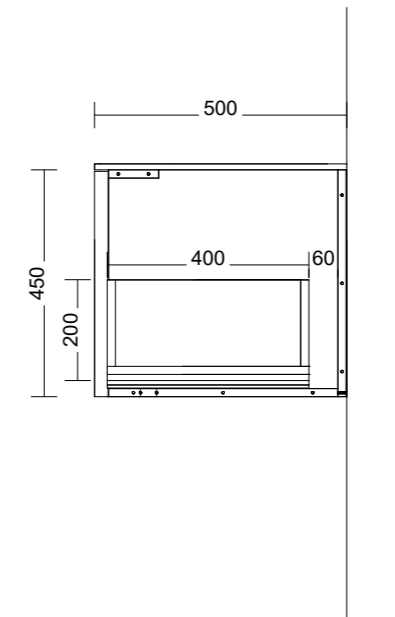
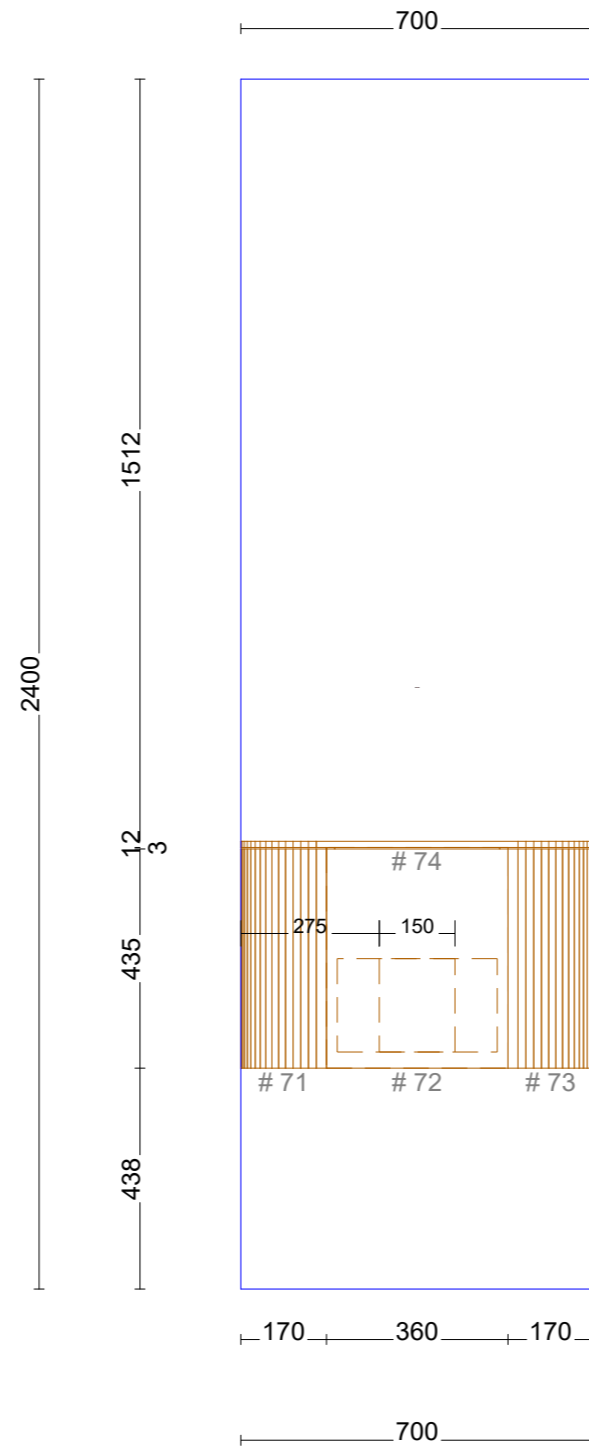
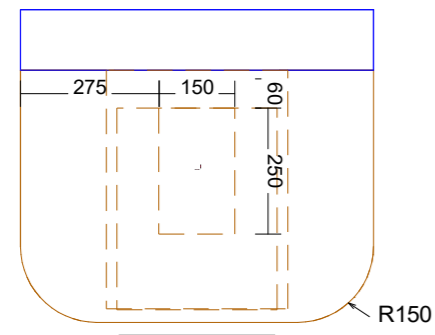
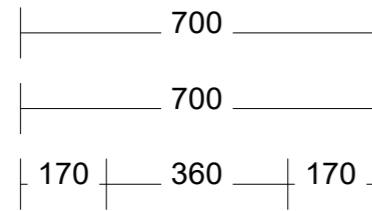
LED set-out on chrucl
arch shaving cabinets



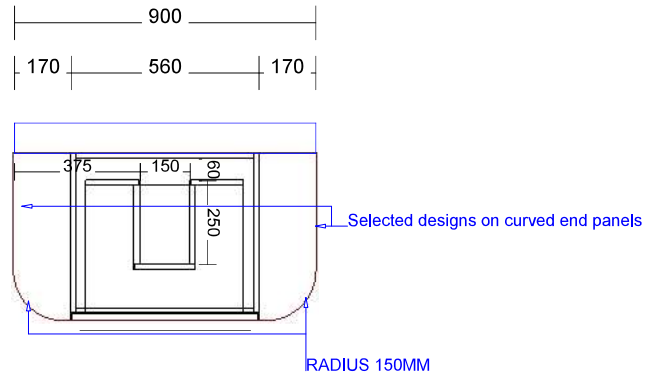
Range:Accessories



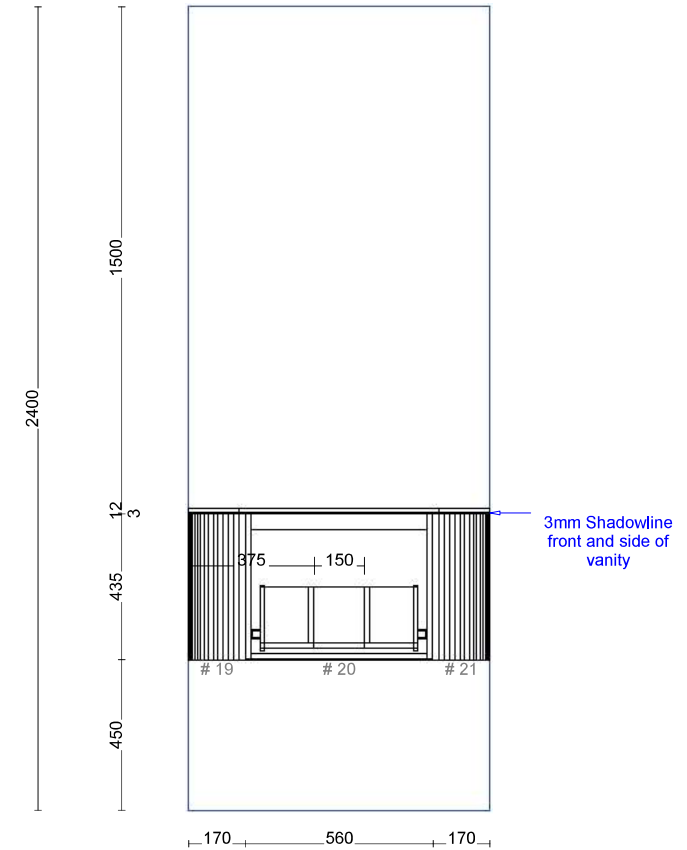
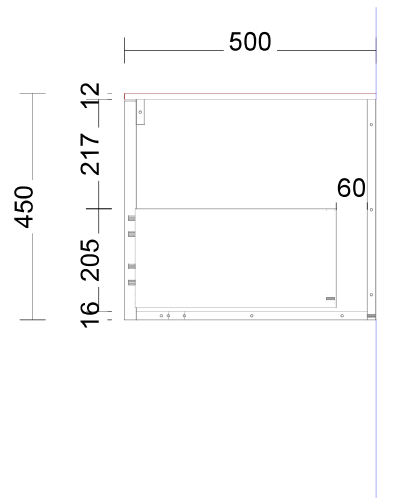
Range:Firenza 700mm Single Bowl Centre



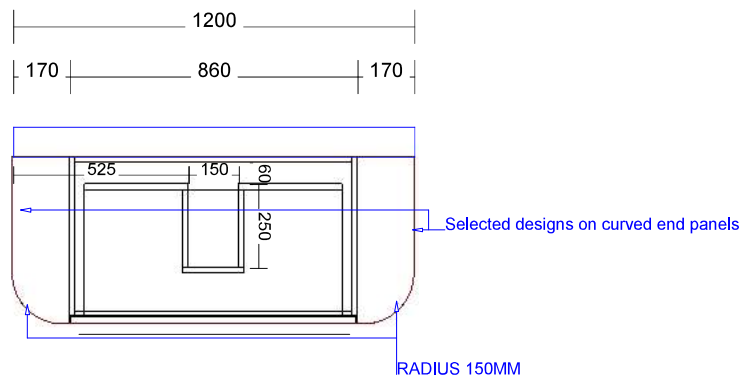
Range:Firenza 700mm Single Bowl Centre



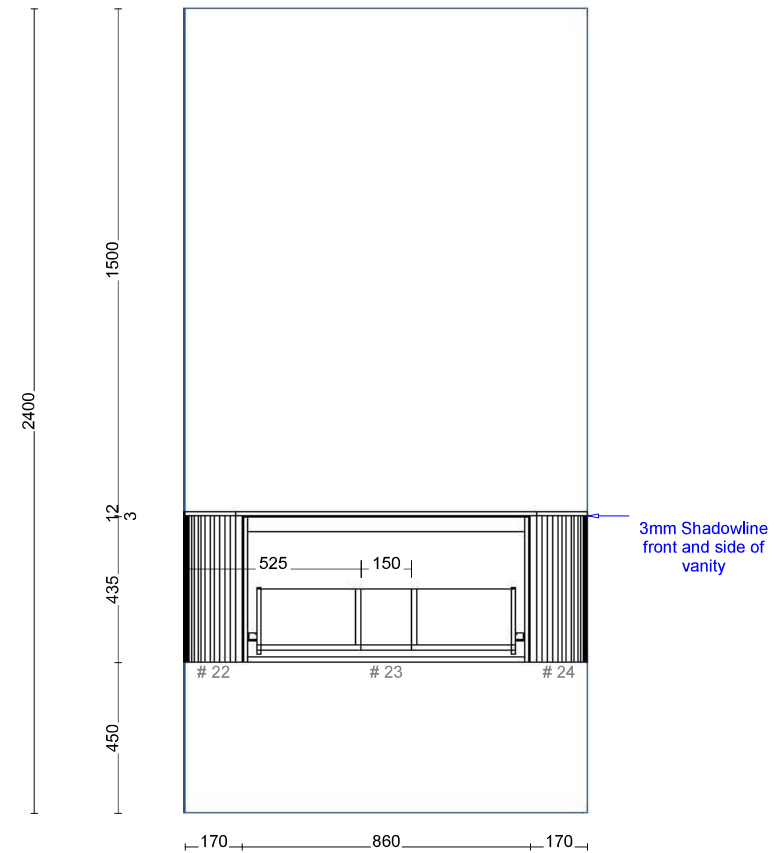
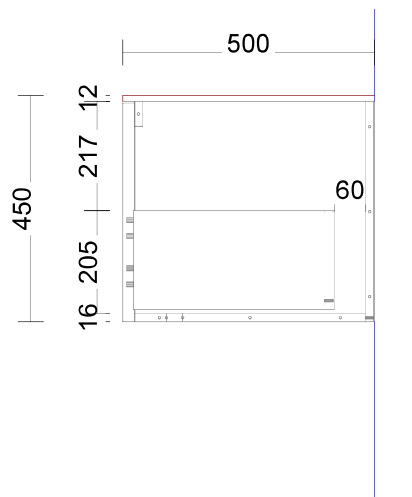
Internal Carcass: Selected by client
 Base Cabinet Doors, Panels and Fillers: Selected by client
 Benchtop: Selected by client
 Base Door Handles: Selected by client
 Drawers: Hafele Grass NovaPro Scala (soft close)
 Drawer Colour: Selected by client



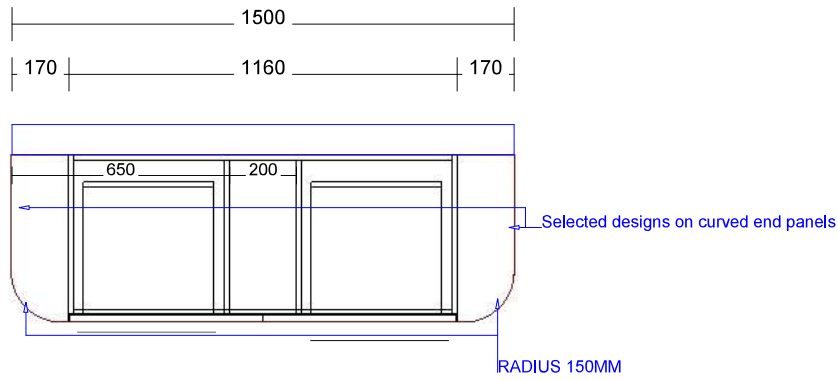
Range:Firenza 900mm Single Bowl Centre



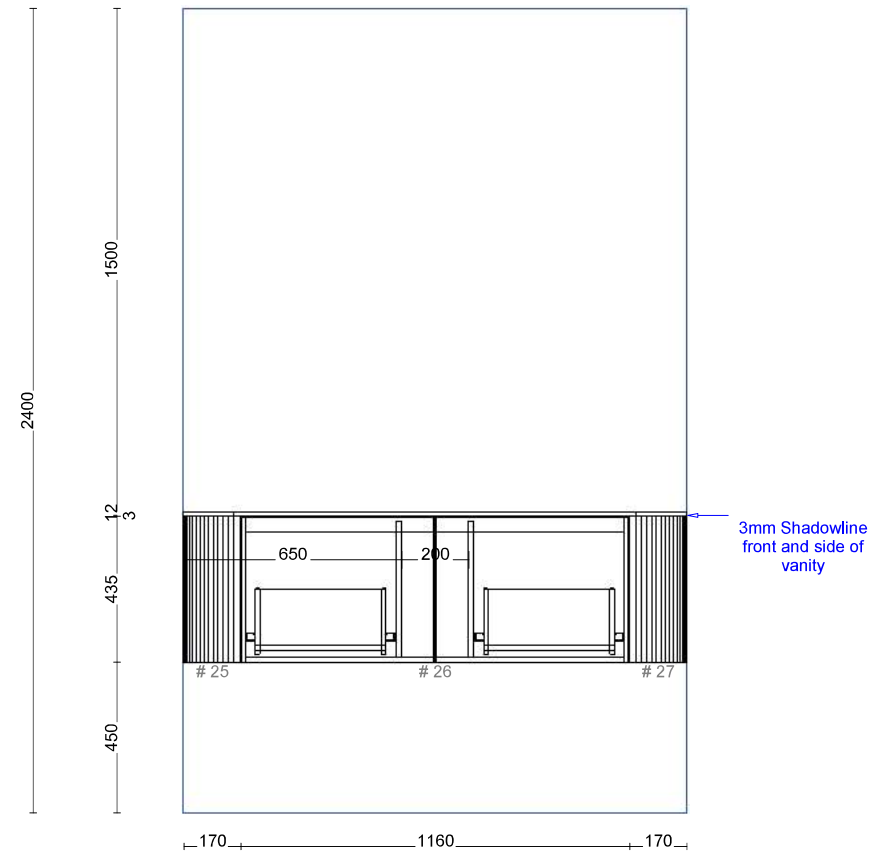
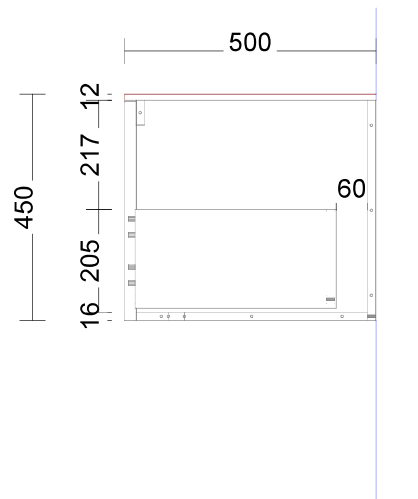
Internal Carcass: Selected by client
 Base Cabinet Doors, Panels and Fillers: Selected by client
 Benchtop: Selected by client
 Base Door Handles: Selected by client
 Drawers: Hafele Grass NovaPro Scala (soft close)
 Drawer Colour: Selected by client



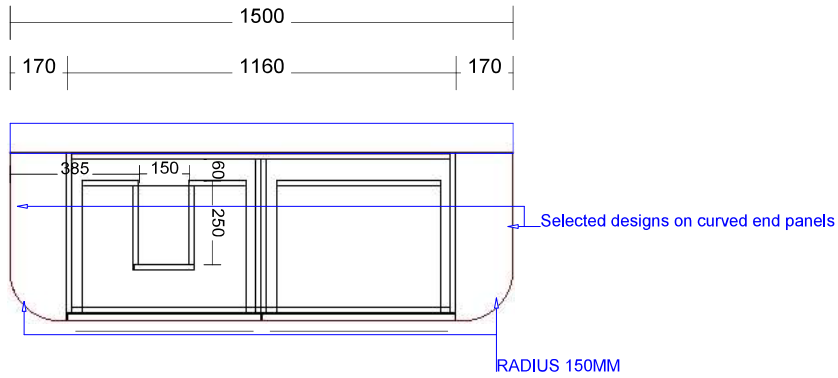
Range:Firenza 1200mm Single Bowl Centre



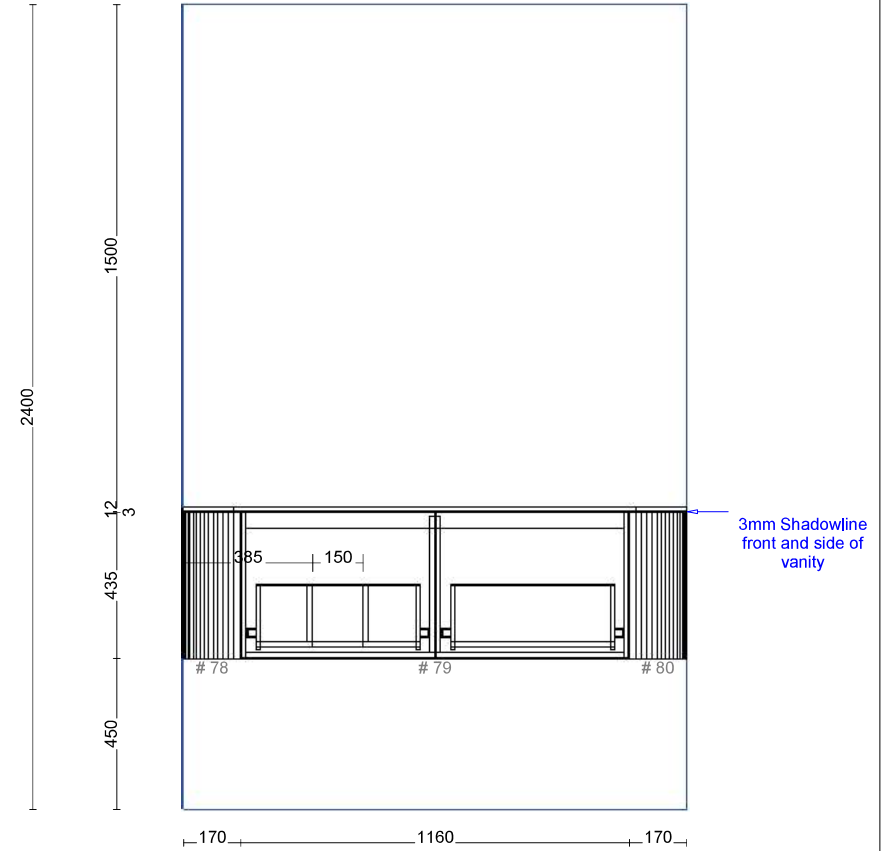
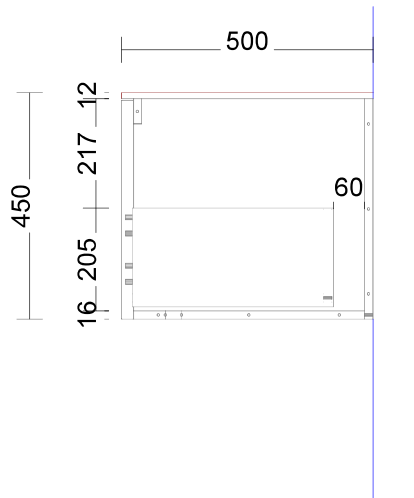
Internal Carcass: Selected by client
 Base Cabinet Doors, Panels and Fillers: Selected by client
 Benchtop: Selected by client
 Base Door Handles: Selected by client
 Drawers: Hafele Grass NovaPro Scala (soft close)
 Drawer Colour: Selected by client



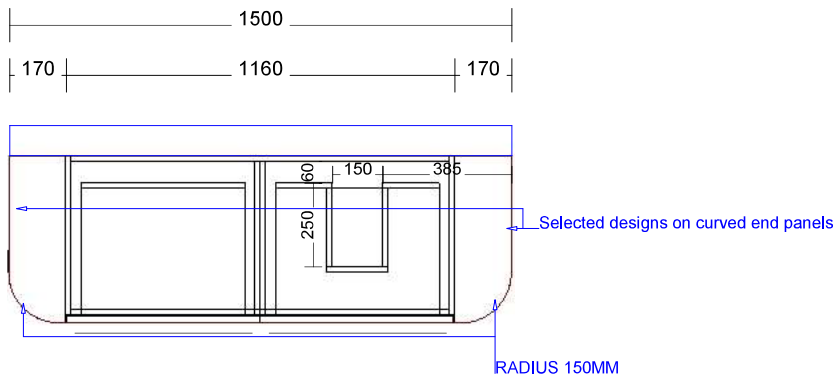
Range:Firenza 1500mm Single Bowl Centre



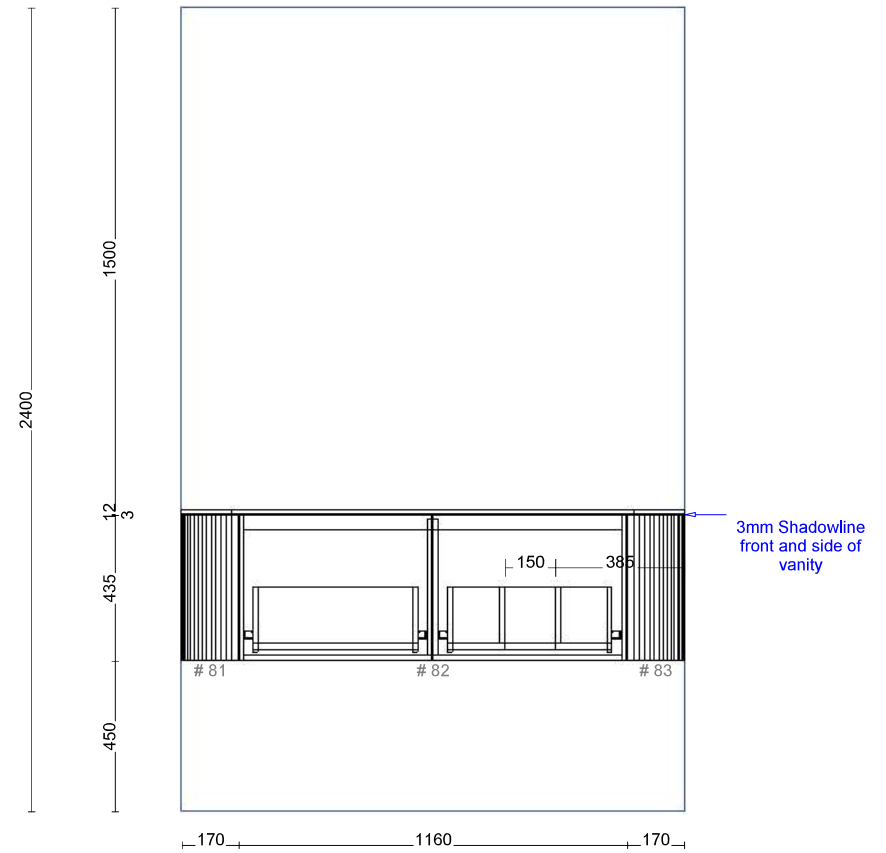
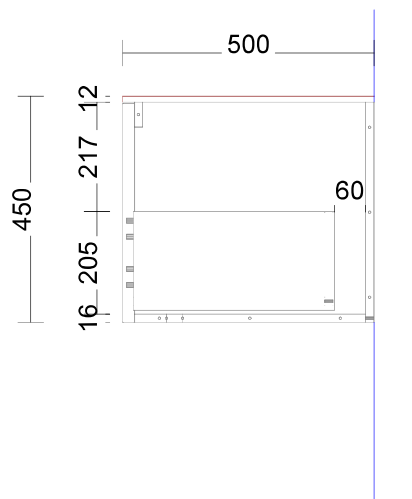
- Internal Carcass: Selected by client
- Base Cabinet Doors, Panels and Fillers: Selected by client
- Benchtop: Selected by client
- Base Door Handles: Selected by client
- Drawers: Hafele Grass NovaPro Scala (soft close)
- Drawer Colour: Selected by client



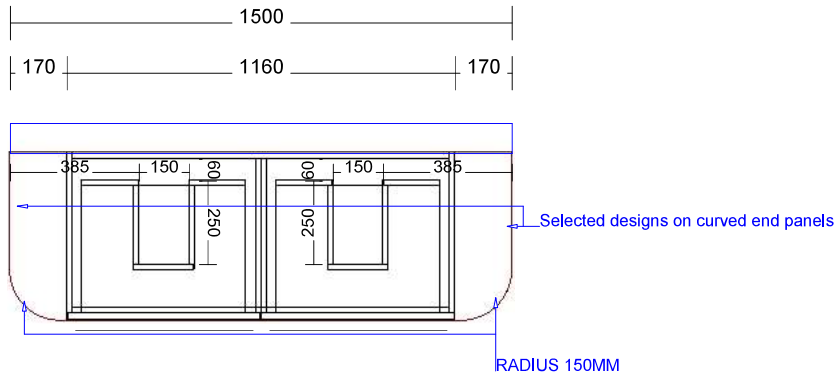
Range:Firenza 1500mm Single Bowl Left



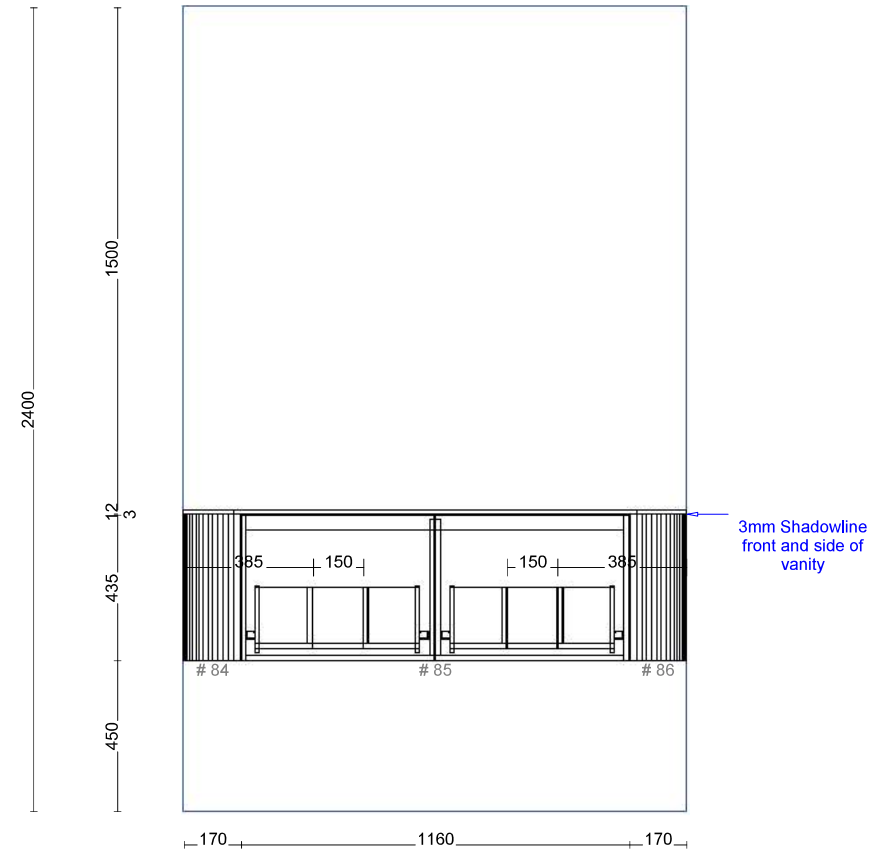
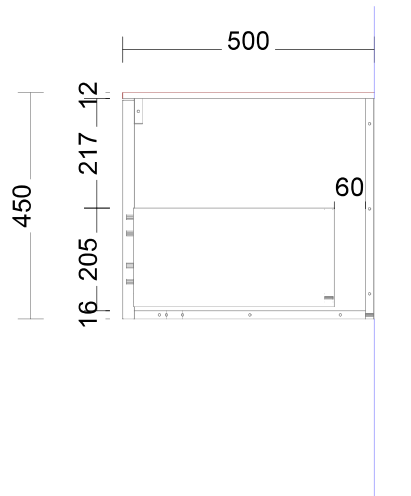
Internal Carcass: Selected by client
 Base Cabinet Doors, Panels and Fillers: Selected by client
 Benchtop: Selected by client
 Base Door Handles: Selected by client
 Drawers: Hafele Grass NovaPro Scala (soft close)
 Drawer Colour: Selected by client



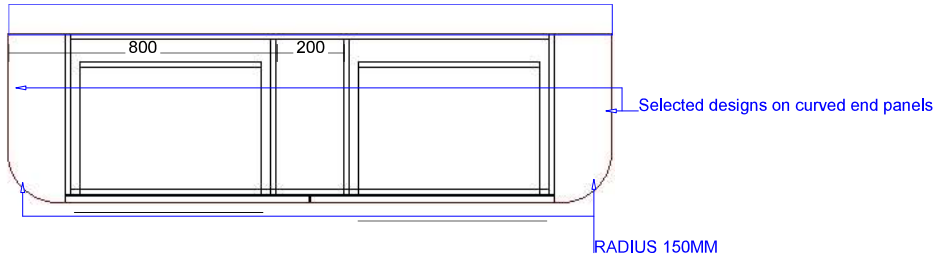
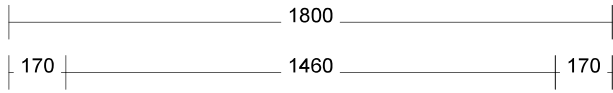
Range:Firenza 1500mm Single Bowl Right



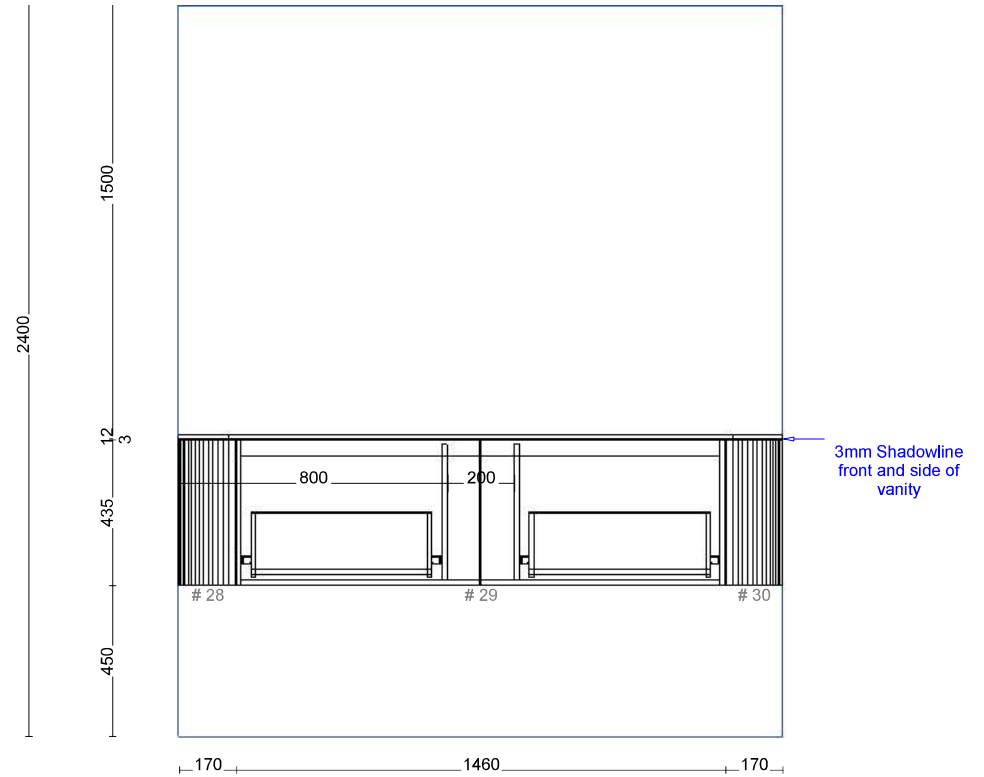
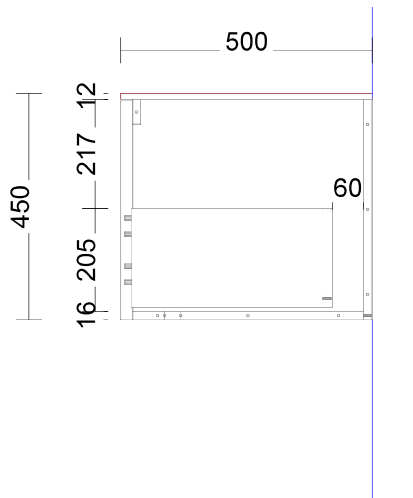
- Internal Carcass: Selected by client
- Base Cabinet Doors, Panels and Fillers: Selected by client
- Benchtop: Selected by client
- Base Door Handles: Selected by client
- Drawers: Hafele Grass NovaPro Scala (soft close)
- Drawer Colour: Selected by client



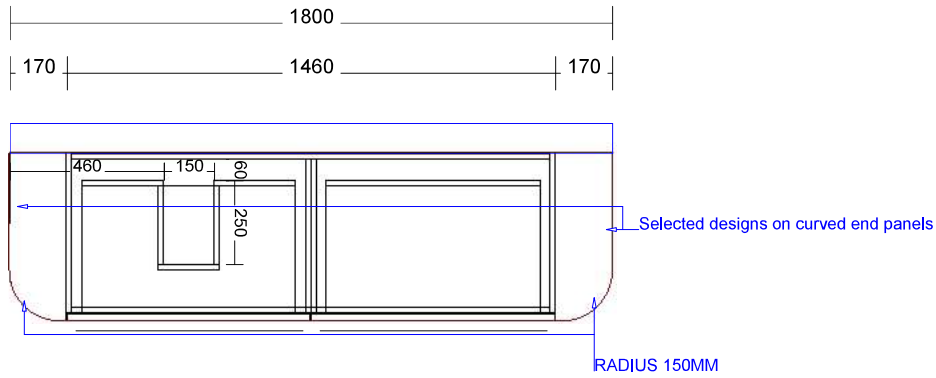
Range:Firenza 1500mm Double Bowl



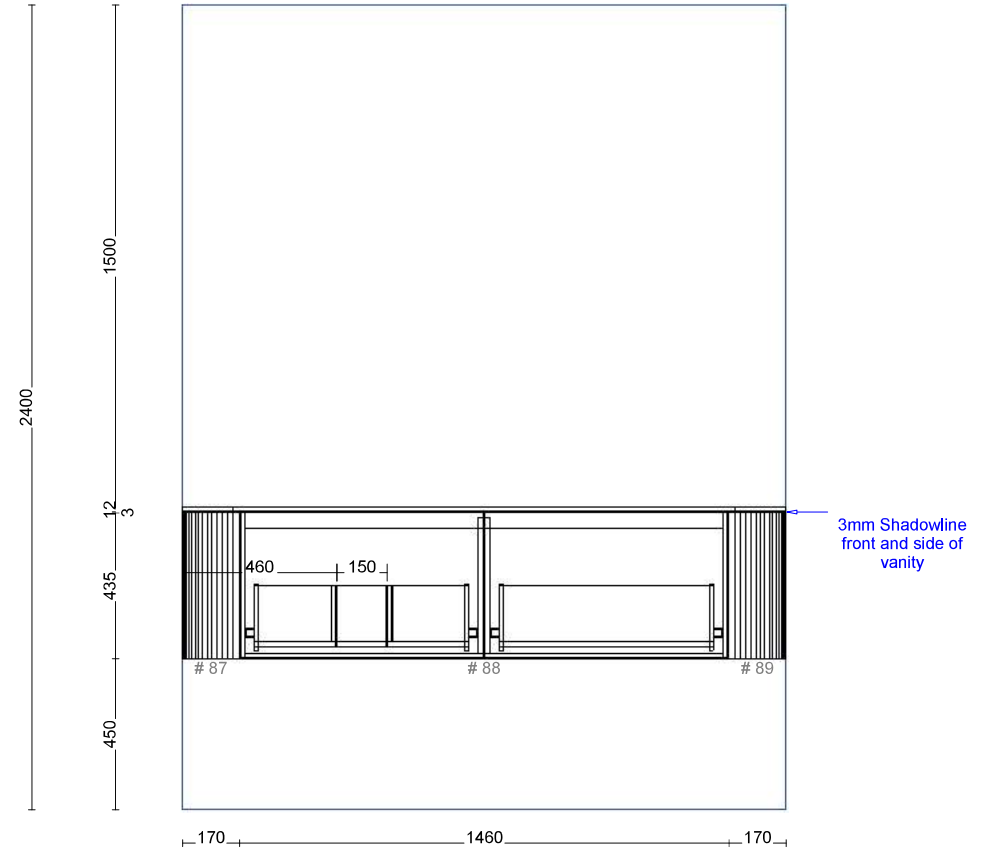
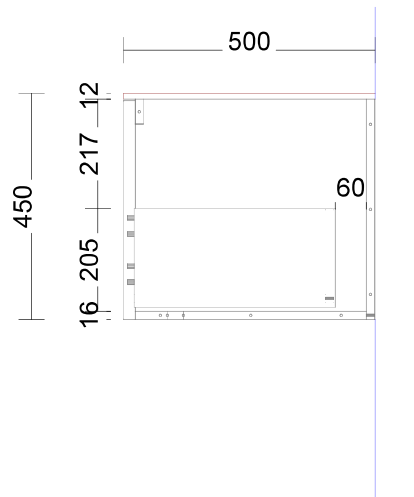
- Internal Carcass: Selected by client
- Base Cabinet Doors, Panels and Fillers: Selected by client
- Benchtop: Selected by client
- Base Door Handles: Selected by client
- Drawers: Hafele Grass NovaPro Scala (soft close)
- Drawer Colour: Selected by client



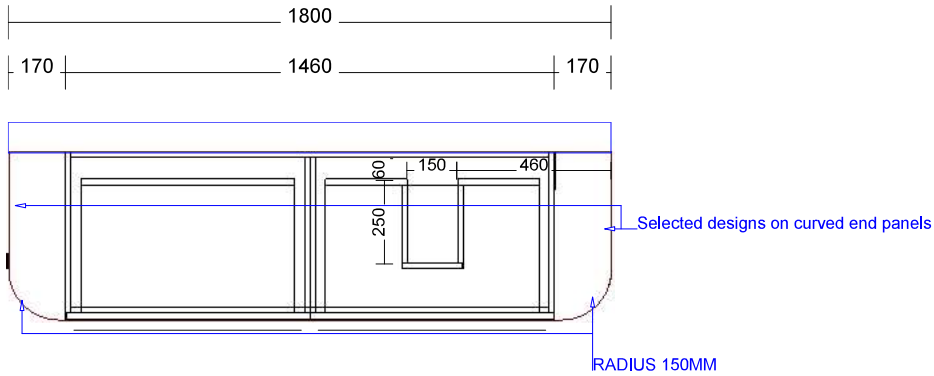
Range:Firenza 1800mm Single Bowl Centre



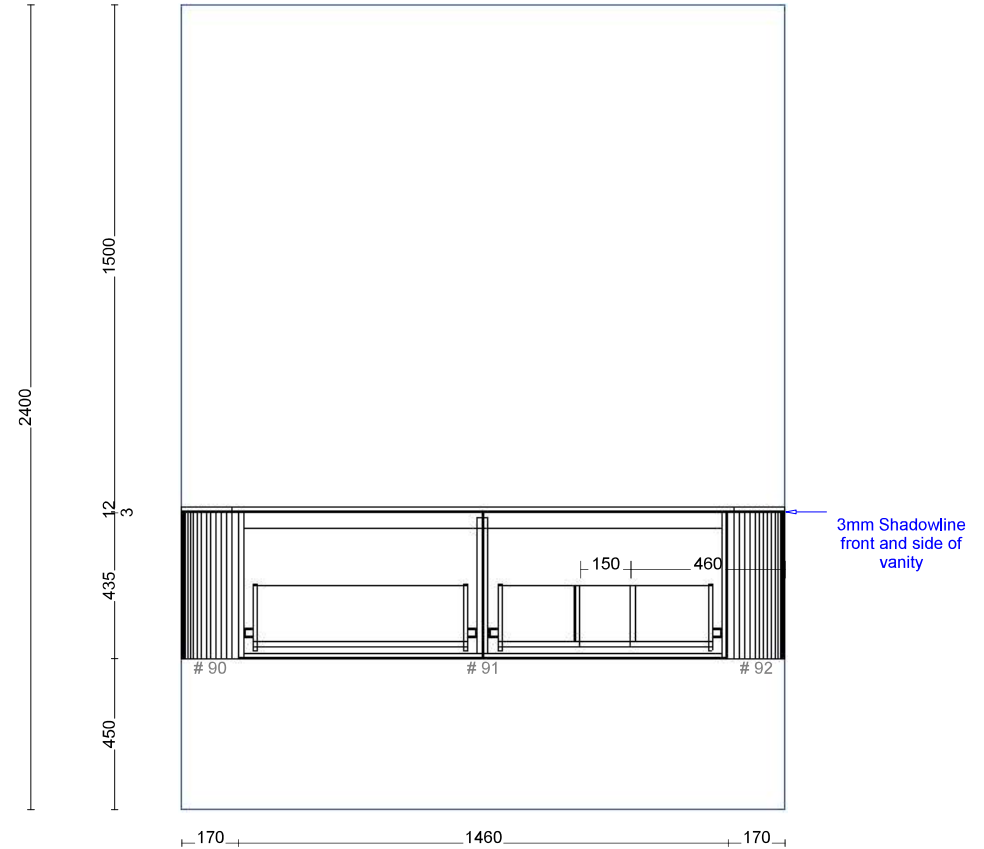
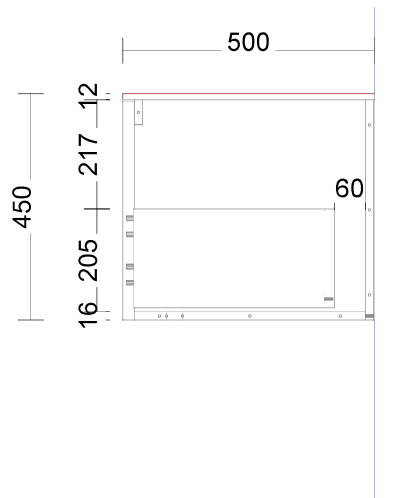
- Internal Carcass: Selected by client
- Base Cabinet Doors, Panels and Fillers: Selected by client
- Benchtop: Selected by client
- Base Door Handles: Selected by client
- Drawers: Hafele Grass NovaPro Scala (soft close)
- Drawer Colour: Selected by client



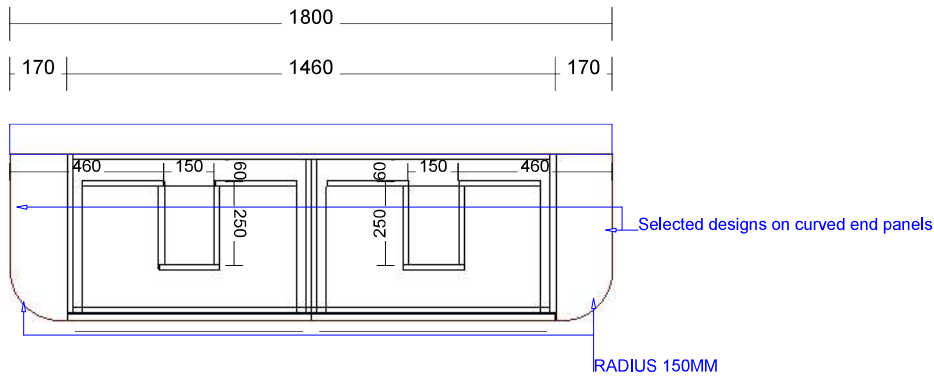
Range:Firenza 1800mm Single Bowl Left



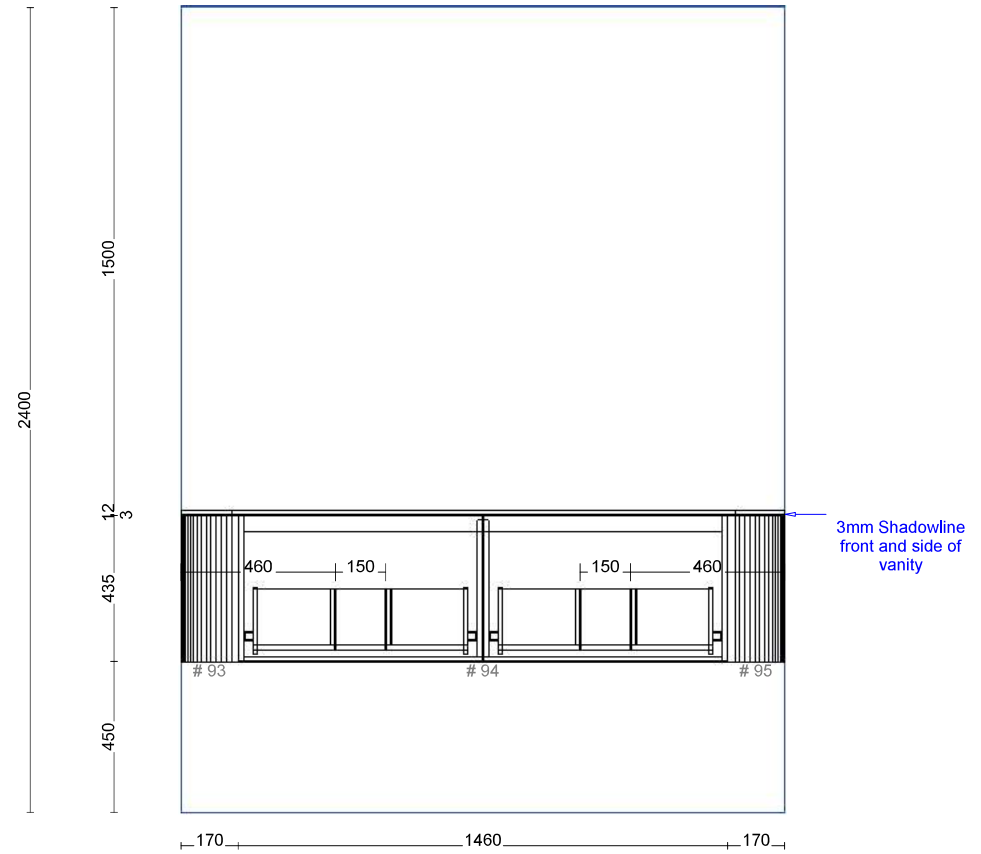
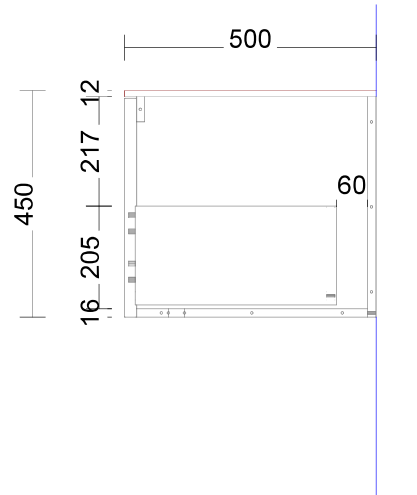
- Internal Carcass: Selected by client
- Base Cabinet Doors, Panels and Fillers: Selected by client
- Benchtop: Selected by client
- Base Door Handles: Selected by client
- Drawers: Hafele Grass NovaPro Scala (soft close)
- Drawer Colour: Selected by client



Range:Firenza 1800mm Single Bowl Right



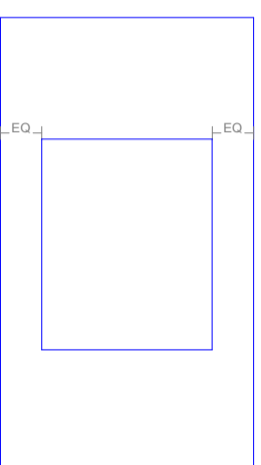
- Internal Carcass: Selected by client
- Base Cabinet Doors, Panels and Fillers: Selected by client
- Benchtop: Selected by client
- Base Door Handles: Selected by client
- Drawers: Hafele Grass NovaPro Scala (soft close)
- Drawer Colour: Selected by client



Range:Firenza 1800mm Double Bowl

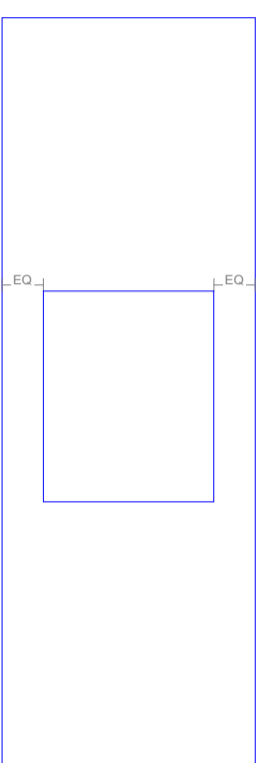
PLACEMENT 600, 700, 900 AND 1200 LINE DRAWINGS

CENTRE ONLY

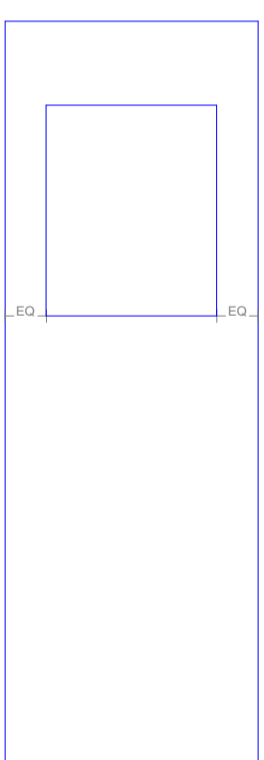


PLACEMENT 1500 AND 1800 LINE DRAWINGS

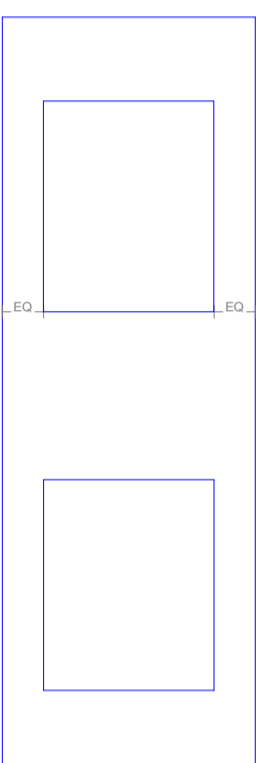
CENTRE



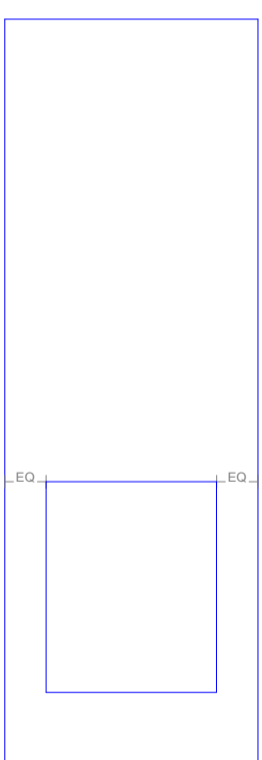
LEFT



2 X BASINS



RIGHT



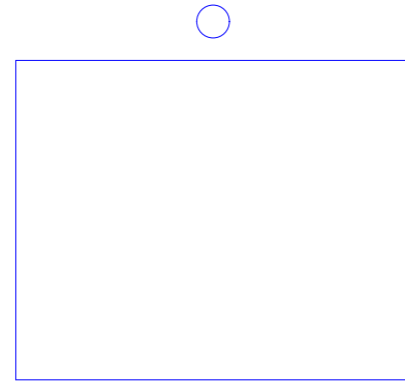
Range: Placement Of Basins

TAP HOLE LINE DRAWINGS

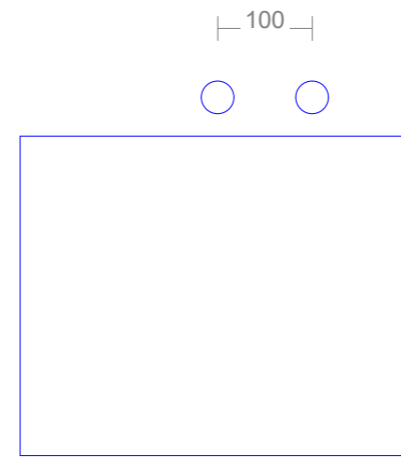
NO TAP HOLE



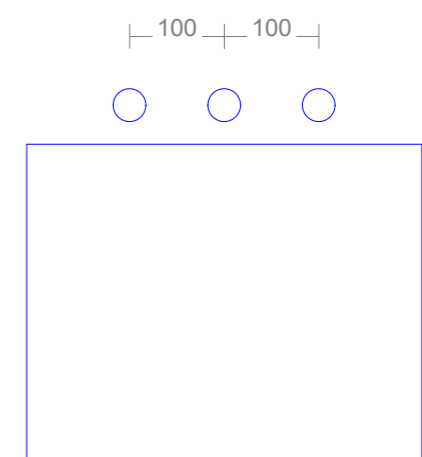
1 TAP HOLE



2 TAP HOLE



3 TAP HOLE



Range: Taphole Positions